

SILENCER TO BE LAGGED WITH CERAMIC BLANKET 50mm THICK (64 KG /M<sup>3</sup> DENSITY) & 1 LAYER OF AL. SHEET 0.8mm THK

15	CANOPY ASSEMBLY
14	EARTHING CABLE
13	CONTROL PANEL
12	FLOAT UNIT
11	BREATHER
10	AVM ASSEMBLY
9	TAIL PIPE
8	EXHAUST SYSTEM
7	ALTERNATOR
6	AIR INTAKE SYSTEM
5	CHARGING ALTERNATOR
4	STARTER ASSEMBLY
3	FLYWHEEL AND FLYWHEEL HOUSING ASSEMBLY
2	BASE PLATE ASSEMBLY
1	ENGINE ASSEMBLY
SR NO.	DESCRIPTION

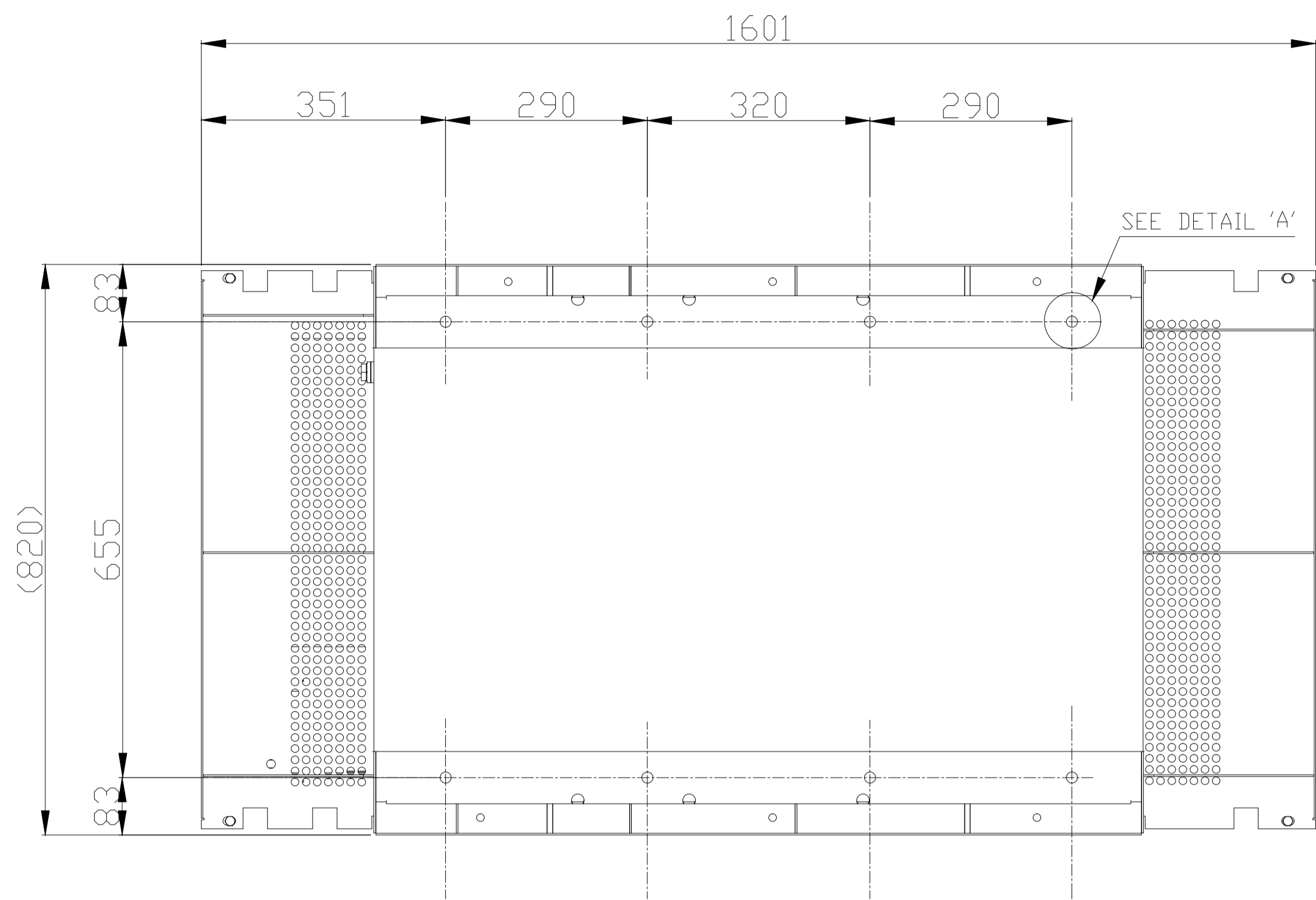
- NOTES:-
1. OUTER DIMENSION - 1645 (L) x 864 (W) x 1612(H)
  2. DOOR HINGES - OUTSIDE
  3. USE KOEL APPROVED FOAM & PAINT.
  4. FOR DETAIL OF FOUNDATION LAYOUT AND INSTALLATION PLAN FOR OPEN DOORS REFER SHEET 2 OF 2.
  5. APPROX. WEIGHT OF GENSET 650 Kg. ± 50 Kg.

LIFECYCLE STATE:- RELEASED

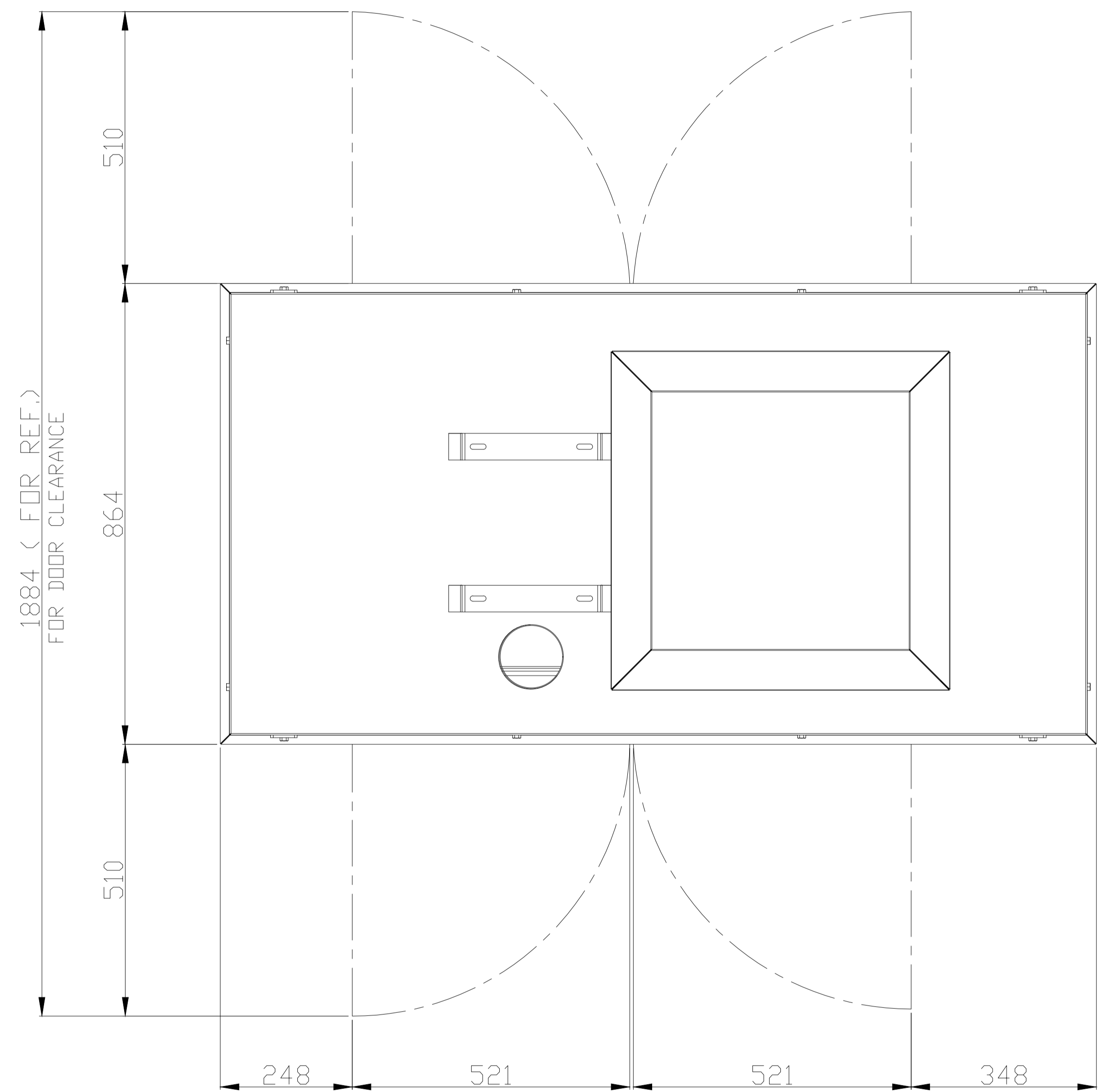
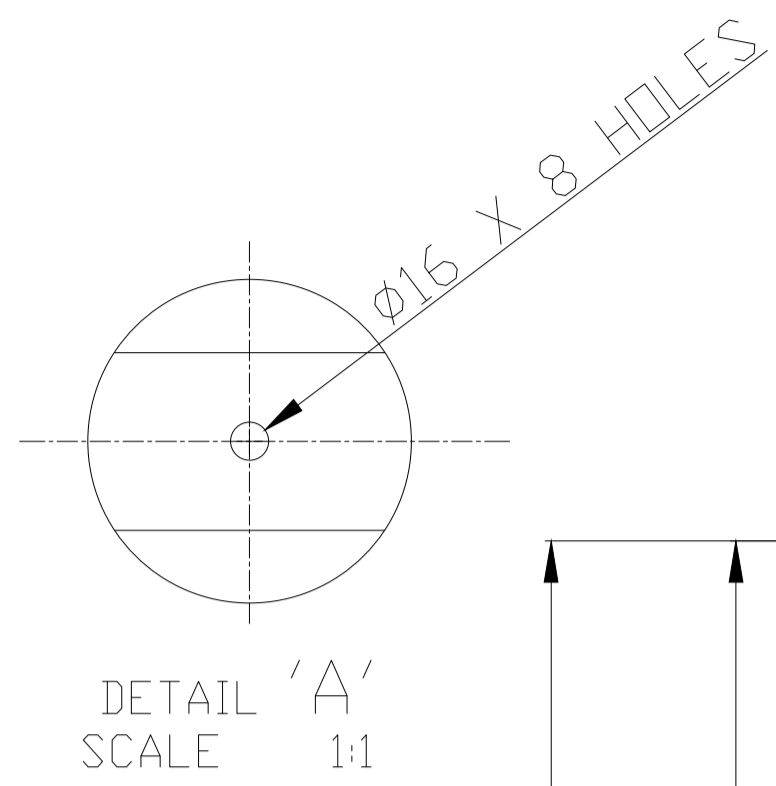
IF IN DOUBT ASK  
PRINTS OF PREVIOUS REVISION NO. SHOULD BE SCRAPPED

THIS DRAWING IS PROPERTY OF KIRLOSKAR OIL ENGINES LTD. AND MUST BE RETURNED ON REQUEST. IT IS SUBMITTED AS CONFIDENTIAL INFORMATION WITH OUR ENQUIRY, TENDER, ORDER OR CONTRACT NO. IT IS NOT TO BE ISSUED FOR ANY OTHER PURPOSE OR ORDER NOR MAY BE COPIED OR LENT WITHOUT OUR AUTHORITY IN WRITING.  
FORMAT No R&E/FORM/056/01 (REFER DDP No R&E 4.4/03)

UNLESS OTHERWISE SPECIFIED		CAD DRG FILE:- PLM		CASTING/FORGING DRG. NO.	
• ALL DIMENSIONS ARE IN mm.		MATERIAL :-	HEAT TREATMENT :-	WEIGHT :-	
• SURFACE ROUGHNESS AS PER CO. STD. IS 10501.		---	---	---	
• UNMENTIONED TOLERANCES AS PER CO. STD. IS 11001.		DRN	PRIYANKA	TITLE	
• REMOVE ALL SHARP BURRS AND SHARP EDGES.		CHD.	ARG	GENSET INSTALLATION ASSEMBLY	
• DRAWING NOT TO BE SCALED.		APPD.	ARG	5 KVA , 1 PH	
		UNMENTIONED	DATE	03.07.14	
		00	NEW RELEASE.	KIRLOSKAR OIL ENGINES LTD., PUNE 411 003 (INDIA)	
		B3.0151	03.07.14	DRAWING NO. D3.5301.00.00	
				REV. NO. 00	



FOUNDATION LAYOUT



INSTALLATION PLAN FOR OPEN DOORS

LIFECYCLE STATE:- RELEASED

IF IN DOUBT ASK

PRINTS OF PREVIOUS REVISION NO. SHOULD BE SCRAPPED

THIS DRAWING IS PROPERTY OF KIRLOSKAR OIL ENGINES LTD. AND MUST BE RETURNED ON REQUEST. IT IS SUBMITTED AS CONFIDENTIAL INFORMATION WITH OUR ENQUIRY, TENDER, ORDER OR CONTRACT NO. IT IS NOT TO BE ISSUED FOR ANY OTHER PURPOSE OR ORDER NOR MAY BE COPIED OR LENT WITHOUT OUR AUTHORITY IN WRITING.

FORMAT No.R&E/FORM/056/01 (REFER DDP No R&E 4.4/03)

UNLESS OTHERWISE SPECIFIED		CAD DRG FILE:- PLM		CASTING/FORGING DRG. NO.	
• ALL DIMENSIONS ARE IN mm.		MATERIAL :-	HEAT TREATMENT :-	---	
• SURFACE ROUGHNESS AS PER CO. STD.IND.10501.		---	---	---	
• UNMENTIONED TOLERANCES AS PER CO. STD.IND.11001.		DRN	PRIYANKA	TITLE	
• REMOVE ALL SHARP BURRS AND SHARP EDGES.		CHD.	ARG	GENSET INSTALLATION ASSEMBLY	
• DRAWING NOT TO BE SCALED.		APPD.	ARG	5 KVA , 1 PH	
UNMENTIONED		DATE	03.07.14	DRAWING NO.	
00 NEW RELEASE.		B3.0151 03.07.14		REV. NO.	
00		RADIO		---	
00		CHAMFER		---	
00		UNDERCUT		---	
KIRLOSKAR OIL ENGINES LTD., PUNE 411 003 (INDIA)				DRAWING NO. D3.5301.00.00	
				REV. NO. 00	